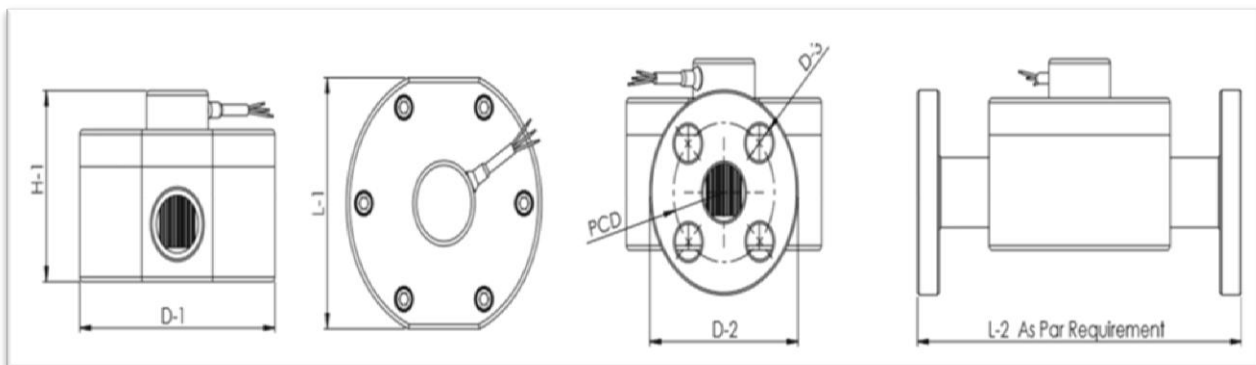


Oval Gear Flow Meter

Flow Meter Material :-

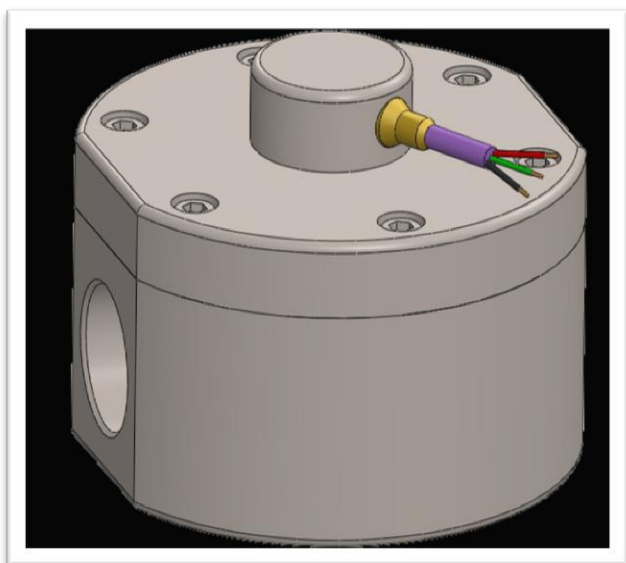
Body	Stainless steel	Aluminium
Gear	Stainless steel	Aluminium
Shaft	Solid Carbide	Solid Carbide

1. **Working Pressure** :- 50 Bar For Aluminium
:- 150 Bar For Stainless Steel
2. **Accuracy** :- +/- 0.5% Reading
3. **Temperature** :- -20 to 80 Celsius
4. **Input Power** :- 5v DC to 24v DC
5. **Pulse Out Put Sensor** :- Output Signal NPN Pulse Output



Flow Range :-

PART NO.	LINE SIZE	THREAD SIZE	FLOW RANGE
MI-OGFM-003	3mm	¼" BSP	0.5 – 35 L/H
MI-OGFM-006	6mm	¼" BSP	5 – 150 L/H
MI-OGFM-009	9mm	3/8" BSP	15 – 300 L/H
MI-OGFM-013	13mm	½" BSP	100 -1500 L/H
MI-OGFM-019	19mm	¾" BSP	200 – 2200 L/H
MI-OGFM-025	25mm	1" BSP	500 – 4000 L/H
MI-OGFM-040	40mm	1 ½" BSP	1000 – 10000 L/H
MI-OGFM-050	50mm	2" BSP	5000 – 20000 L/H
MI-OGFM-065	65mm	2.5" BSP	5000 – 30000 L/H
MI-OGFM-080	80mm	3" BSP	10000 – 50000 L/H
MI-OGFM-100	100mm	4" BSP	20000 – 75000 L/H



PART NAME	H-1	D-1	L-1	THREAD	CLASS 150 FLANGE	D-2	HOLE	PCD
MI-OGFM-003	57	63	59	¼" BSP	½"	88.9	15.74x4	60.45
MI-OGFM-006	57	63	59	¼" BSP	½"	88.9	15.74x4	60.45
MI-OGFM-009	60	67	61	3/8" BSP	½"	88.9	15.74x4	60.45
MI-OGFM-013	66	86	81	½" BSP	½"	88.9	15.74x4	60.45
MI-OGFM-019	73	97	91	¾" BS	¾"	98.55	15.74x4	69.85
MI-OGFM-025	83	117	109	1" BSP	1"	107.95	15.74x4	79.24
MI-OGFM-040	103	195	183	1 ½" BSP	1 ½"	127	15.74x4	98.55
MI-OGFM-050	128	195	183	2" BSP	2"	152.4	19.05x4	120.65
MI-OGFM-080	159	240	220	3" BSP	3"	190.5	19.05x4	152.4

7th, 1st Floor Vijay Estate, Nr Gota Railway Over Bridge Raj Granite Lane Gota, Ahmedabad – 382481

MO – 7984080434, 9998731823 E mail – marketing.flowmeter@gmail.com , sales@majorinstruments.com
www.ztronindia.com